

FANDV - Series Centrifugal Ceiling Exhaust Fans Header Box Fan

The Centrifugal Ceiling Exhaust Fans by MEC is a stylish and slimline exhaust fan unit designed for use in small bathrooms, laundry rooms and toilets. Composed of durable acrylic the white fascia on the Centrifugal Ceiling Exhaust Fan features a 331mm diameter and a powerful yet quiet ball bearing exhaust with a 330m³/hr extraction rate. The Centrifugal Ceiling Exhaust Fan has a low profile of 200mm (min. installation depth 210mm required) allowing installation in limited ceiling spaces. The MEC Fan Ceiling exhaust fans come complete with a flex and plug for easy installation (providing there is an existing GPO outlet available in the ceiling).

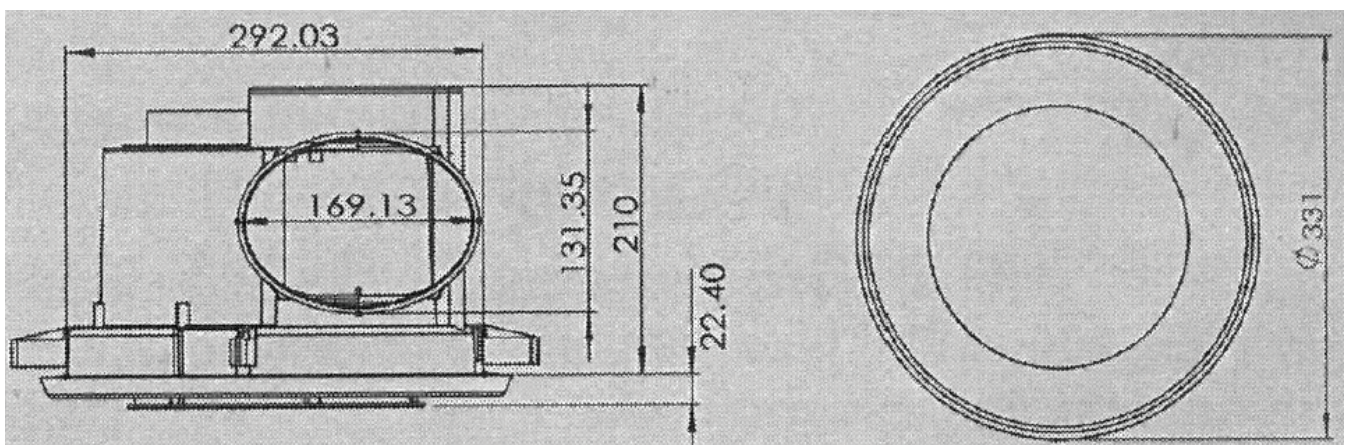
Key Features & Benefits

- Suitable for small bathrooms, ensuites and laundry rooms
- Back-draft shutter included
- 150mm Clip on Connection Spigot
- Side ducted exhaust fan
- Flex and plug included
- Toilets & powder rooms and laundries
- Designed for longer duct runs

Performance Parameter

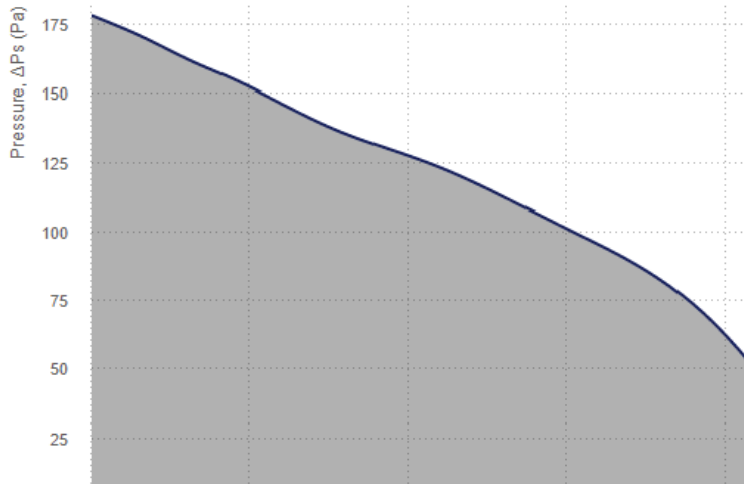
Model	Voltage	Frequency	Power	Duct	Cut out Size
FANDV150	220-240V	50 Hz	60 W	100/150mm	300mm Dia
FANDV150L	220-240V	50 Hz	60 W Fan + 18 W LED	100/150mm	300mm Dia

Dimensions



FANDV - Series Centrifugal Ceiling Exhaust Fans Header Box Fan

Capacity Diagram



Fan Specifications:

Flow Rate	330 m ³ /h or 91 l/s
Sound Level at 3m	39 dBA
Design	Centrifugal
Type	Exhaust
Power	60 W
Amps	0.27 A

Wiring Diagram

Wiring (Ensure the power is tuned OFF)
Please comply with the local wiring rule when wiring.

